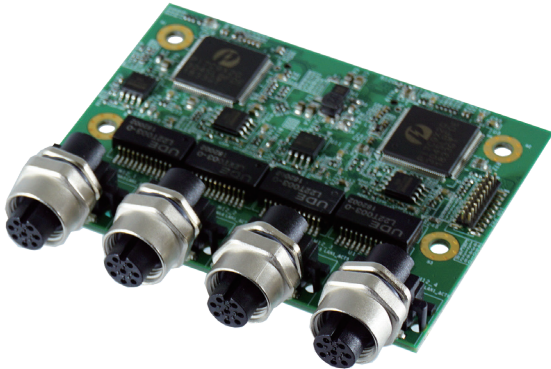
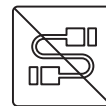
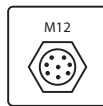


CMI-M12LAN01

CMI Module with 4x Intel GbE LAN, M12 A Coded Connector



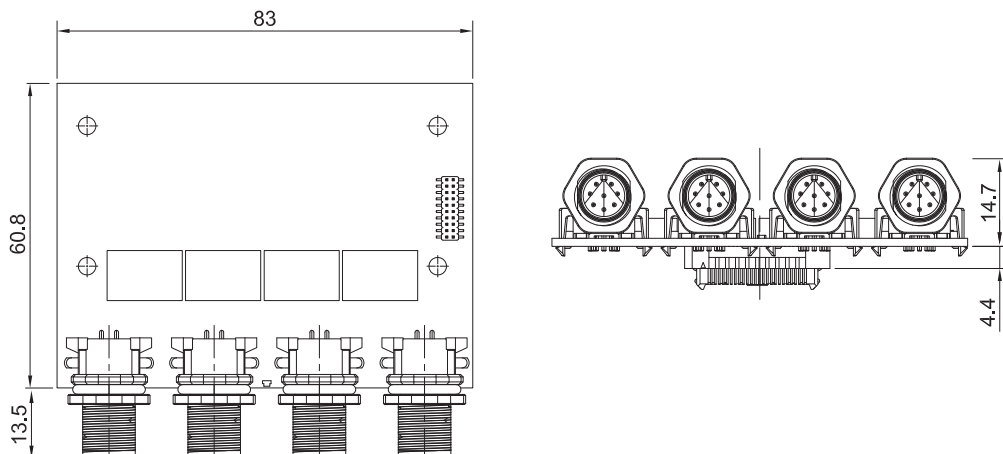
- CMI (Combined Multiple I/O) Technology
- Intel Ethernet Controller I210
- 4x GbE LAN, M12 A Coded Connector
- Support Up to 1GbE Data Rate



Specifications

Interface	CMI (Combined Multiple I/O) Interface
Ethernet Port	4x Intel® I210 Ethernet Ports
Connector Type	M12 A Coded
Data Rate Per Port	10/ 100/ 1000 Mbps
Jumbo Frames Supported	Yes
Teaming Supported	Yes
Dimension (W x D x H)	83 x 60.8 x 14.7 mm

Dimensions



Unit: mm

Ordering Information

Available Models

CMI-M12LAN01-R12 CMI Module with 4x Intel GbE LAN, M12 A Coded Connector

Package Check List

- CMI Module x1
- Screw Pack x1

Compatible List

Model No.	CMI-M12LAN01
DS-1100	V
DS-1101	V
DS-1102	V
DS-1200	V
DS-1201	V
DS-1202	V
DS-1300	V
DS-1301	V
DS-1302	V
DS-1400	V
DS-1401	V
DS-1402	V
DX-1000	V
DX-1100	V
DX-1200	V
DI-1000	V
DI-1100	V
DI-1200	V
GM-1000	V
GP-3000	V