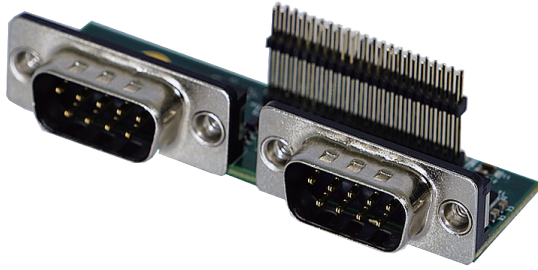
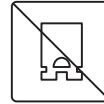
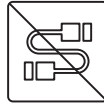


CMI-COM03

CMI Module with 2x RS232/422/485
(Support 5V/12V) for DC-1200



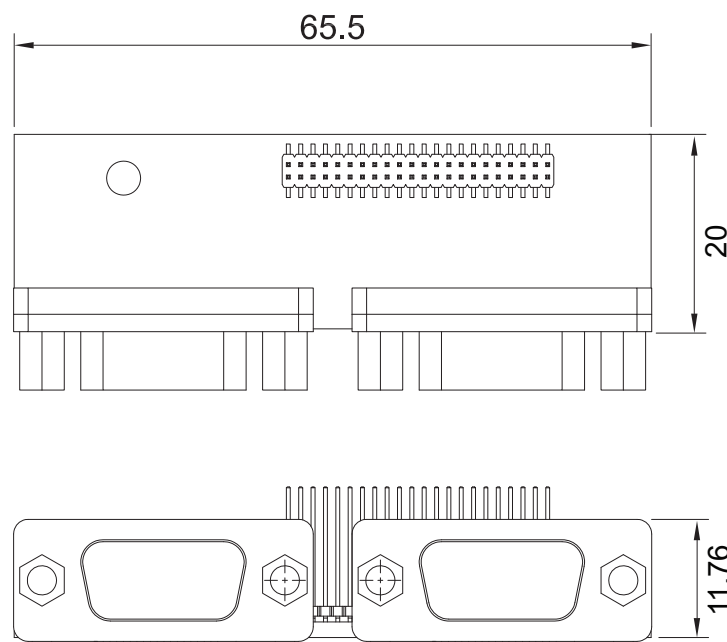
- CMI (Combined Multiple I/O) Technology
- Serial Standards : RS-232 / 422 / 485
- Supports up to 921.6 kbps



Specifications

Interface	CMI (Combined Multiple I/O) Interface
Serial Port	2 x RS-232/422/485
Connector Type	DB9
Outputs Voltage	5V / 12V
Baud Rate	921.6 Kbps
Dimension (W x D x H)	65.5 x 20 x 11.78 mm

Dimensions



Unit: mm

Ordering Information

Available Models

CMI-COM03	CMI Module with 2x RS232/422/485 (Support 5V/12V) for DC-1200
------------------	---

Package Check List

- CMI Module x1
- Screw Pack x1

Compatible List

Model No.	CMI-COM03
DC-1200	V