

FAN-EX104

External Fan with 4pin Terminal Block Plug and Mounting Bracket, Support Smart Fan



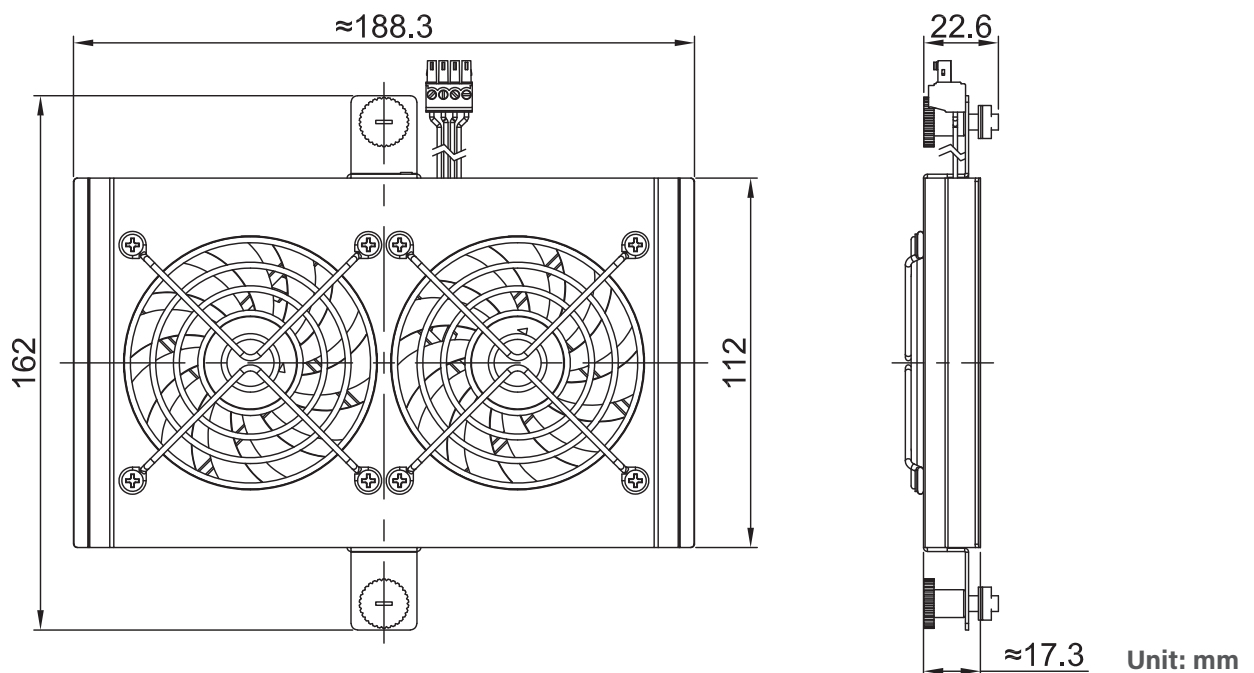
- External Fan Kit
- Easy Maintenance Design
- High Fan Speed For Greater Air Flow
- Support Smart Fan Function



Specifications

Speed Reference	4000 RPM
Power Consumption	4.68 WATTS
Noise	35.7 dBA
Rated Voltage	12 VDC
Rated Current	0.35 AMP
Cable Length	16 cm
Interface	1x 4Pin Terminal Block
Dimension (W x D x H)	188.3 x 162 x 22.6 mm

Dimensions



Ordering Information

Available Models

FAN-EX104 External Fan with 4pin Terminal Block Plug and Mounting Bracket, Support Smart Fan

Package Check List

- External Fan Kit x1

Compatible List

Model No.	FAN-EX104
DV-1000	V